



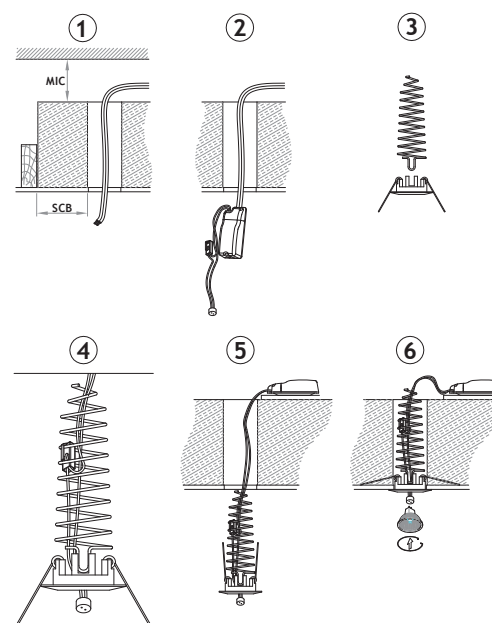
- Pre Wired Lampholder
- Wide Cable Entry
- Fire Safe Thermal Cut Off

Energy Saver Downlight Pack



Installation Instructions:

1. Install using a registered electrician. When choosing downlight position also ensure that MIC, SCB and HCB clearances are adhered to.
2. Cut hole through building insulation the same hole diameter as the downlight hole cut. Nominal hole size 75mm, check fitting before cutting hole.
3. ISOLATE POWER SUPPLY, connect TPS cable to transformer assembly.
4. Stretch ventilation coil to height of building insulation.
5. Clip the red thermal cut off protector to coil with only enough give for lamp replacement.
6. Place transformer on a piece of board on top of insulation ensuring ventilation of transformer.
7. Fit downlight into hole by holding back spring clips and inserting into hole.
8. Fit lamp into downlight.



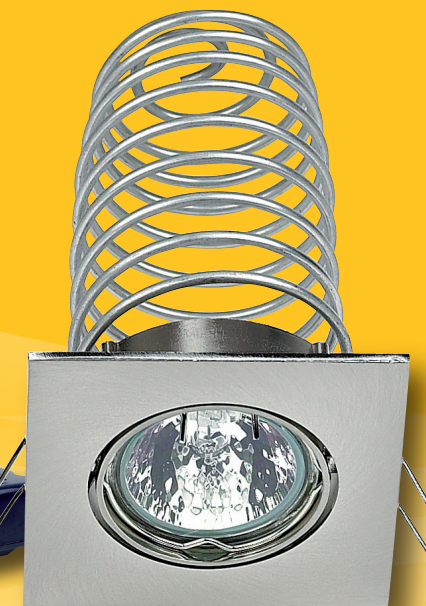
Parts included in Downlight Pack:

- 1x Prewired electronic transformer with lamp holder and Fire Safe thermal cut off.
- 1x HIH high intensity energy saver halogen lamp 35W = 50W illuminance
- 1x Square tiltable downlight flange
- 1x Heat ventilation coil



HiH Energy Saver Downlight Pack

- Pre Wired Lampholder
- Wide Cable Entry
- Fire Safe Thermal Cut Off



This unit will run safely with non-combustible building insulation blankets or segments abutted to the sides.

Can be mounted into timber ceilings.

MIC=50mm SCB=100mm HCB = 20mm

Risk of Fire, Building insulation must not cover the luminaire.

Ensure supply cable is kept clear of lamp.

Only use 12-volt MR16 lamps, 50W maximum.

Lamps run hot. Allow time to cool before touching. Do not direct lamp beam onto objects closer than 0.8m away.



Z029

ENGINEERED FOR FIRE SAFETY FOR YOUR PEACE OF MIND®

ENGINEERED FOR FIRE SAFETY FOR YOUR PEACE OF MIND®

ENGINEERED FOR FIRE SAFETY FOR YOUR PEACE OF MIND®

Manufactured in China exclusively for

Gartner Superlux Ltd

AUCKLAND NEW ZEALAND.

Artcraft Superlux Pty Ltd

SYDNEY AUSTRALIA.