

Infrared Motion Sensor Products

To safely light your entrance and deter intruders



Models KS200 and KS300

Introduction

Before commencing installation

The motion detector works by passive-infrared technology. It will switch the lights on when it detects "warm movement". "Time On" is adjustable from 5 seconds to 8 minutes.

Energy Saving (Lux Level)

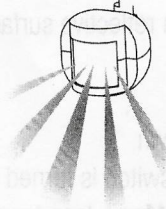
To prevent the detector from switching the lights on during daylight hours the built in Photocell is adjustable. When adjusted toward the **Sun** icon it will work in ambient daylight, when adjusted toward the **Moon** icon it will only work at night.

Location of Installation

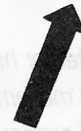
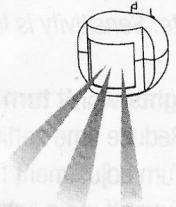
- The range of the unit is 2 to 12 metres. The unit may have a sensitivity adjustment to reduce the distance, **if not**, aiming the sensor downwards will reduce the detection distance.
- Recommended mounting height is from 1.8 to 3.0 metres.
- Mount where the detector's field is not obscured by trees etc.
- Do not aim at reflective surfaces such as water.
- Avoid installing it near temperature variation zones, such as windows or air conditioners etc.
- When the sensor head is level the detection field projects downward at 30° and has a field width of 140° to 180°.
- Do not have lamps below the sensor, as rising heat will influence its operation.
- Excessive moisture will prevent the reliable operation of the unit, it is recommended that it be mounted under an eave or otherwise protected from direct exposure to the weather.
- The adjustable controls on the sensor head must be facing downward.

- For best sensitivity the detector should be pointing across the path of expected movement not directly up the path.

Locate sensor across expected movement path for best results



Sensors located in-line with expected movement path are not as effective as those located across movement path.



Setting Up the Detection Field

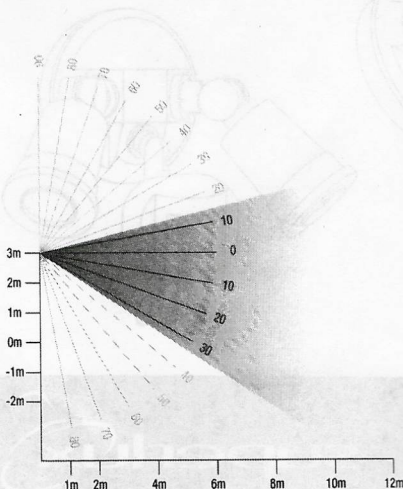
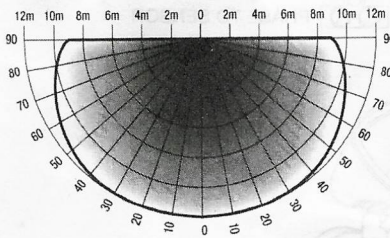
- Switch the power on and wait 15 seconds for the unit to stabilise before any adjustments.
- Turn the Daylight knob to the maximum **Sun** position and the Time knob to the minimum TIME position.
- Adjust the aim of the detector head to the area that you want covered, move around within the area that you want covered to check that you are being detected. You may need to readjust the aim of the detector head until you are satisfied.

Setting Adjustments

- Once the detection field is set as above, turn the Daylight switch toward the **Moon** icon.
- To adjust at what light level the detector becomes active. At the time of the evening when the desired light level is reached that you want the detector to activate, adjust the Daylight knob towards the **Sun** icon until the detector is activated.
- Adjust the lights "On Time" as desired, from 5 seconds to 8 minutes.

Manual Override

This feature allows the unit to be used as a manual flood light by overriding the sensor. To do this turn the wall switch off and on twice within 4 seconds. The interval between the first and second operation must be within 0.5 - 2 seconds. In manual mode, the flood light will remain on for around 4 - 6 hours despite no motion, then the flood light will turn off and the light control will revert to automatic operation. To restore the automatic operation manually, turn the main supply off again for at least 15 seconds and switch back on.



Problem Solving

The points noted under "Location of Installation" are most important for trouble free operation.

False triggering

1. If false triggering occurs, relocating may be required.
2. Stormy weather or electromagnetic interference can cause triggering and the unit does become more sensitive in cold weather.
3. Redirect sensor away from reflective surfaces or heat sources.

If lights won't turn on

1. Check that lamp is not blown.
2. Check that the main light switch is turned on.
3. Turn adjustment from the **Moon** Icon toward the **Sun** Icon.

Note: Sensitivity is less in the summer time.

If lights won't turn off

1. Reduce time setting.
2. Turn adjustment from the **Sun** Icon toward the **Moon** Icon.
3. Turn off main light switch for 30 seconds then turn on again.
4. Redirecting the sensor may help.

Note:

- a) Once the detector has sensed movement and the light is still on, a second movement will add further 'Time On'.
- b) Keep face of sensor clean from cobwebs etc.

Installation

1. Install using a registered electrician.
2. Switch power off at the meter box and ensure that there is no power to the lamp.
3. Unscrew the **Fixing Cover Screws** then remove the cover.
4. Remove the **Cable Clamp** and **Terminal Block**.
5. Use the plastic back box to mark the position of screw holes onto mounting surface. Care should be taken to avoid drilling or screwing into concealed electrical wiring.
6. Connecting the Power Cable to the **Terminal Block**, see the relative symbol in Fig 1, ensure the cable passes through the **Cable Gasket**. Ensure KS200 has earth connection.
7. Affix the back box to the mounting surface observe the ↑ up symbol.
8. Re-fit the **Terminal Block** and **Cable Clamp**.
9. Re-fit the cover ensuring gasket is in place.

Important: Loosen all lock nuts and screws on sensor and lamp heads before making adjustments to aim or position.

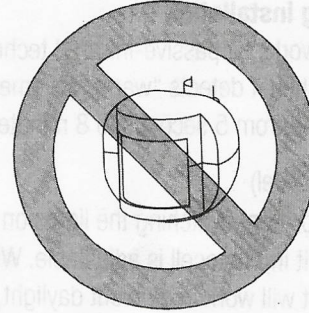
Note: The security lamp should be wired to its own light switch. Do not interconnect with the other lights on the same switch.

CAUTION:

Sensor Units

There are no user serviceable parts inside Sensor Units.

DO NOT DISMANTLE



Lamp Units

1. Ensure main power supply is turned off before removing or installing lamps.
2. Allow lamps to cool before removing.
3. Halogen lamps shouldn't be touched with fingers. Wipe Halogen lamp clean with dry cloth.
4. Ensure rubber seals are put back in place when replacing lamps.
5. Observe Maximum Wattage on product label.

Fig 1.

KS300

FROM SENSOR		TO LAMPS
NEUTRAL IN		NEUTRAL TO LAMPS & SENSOR
PHASE IN		PHASE TO SENSOR

KS200

FROM SENSOR		TO LAMPS
NEUTRAL IN		NEUTRAL TO LAMPS & SENSOR
EARTH IN		FITTING EARTH WIRE
PHASE IN		PHASE TO SENSOR

