

Use and maintenance instructions

GIRO LANTERN HEAD - F1062

Outdoor luminaire suitable for installation on poles Ø60mm

TECHNICAL DETAILS: please refer to the product label



IP65 Protection degree against dust ingress, solid particles, moisture



Caution, risk of electrical shock.
The lighting source of this luminaire is not replaceable. When the lighting source reaches the end-of-life the whole luminaire must be replaced.



This luminaire holds a lighting source in "F" energy efficiency class.

SVM>0,9 This product is intended for use in outdoor applications, industrial applications and other applications for which lighting standards allow a CRI <80.



This product must not be disposed as a normal household waste.

WARNINGS:

- THE SAFETY OF THIS PRODUCT IS GUARANTEED ONLY WITH THE RESPECT OF THE EXISTING RULES FOR THE ELECTRICAL SYSTEMS, AND WITH THE APPROPRIATE USE OF THESE INSTALLATION INSTRUCTIONS, THEREFORE IT IS NECESSARY TO KEEP THEM.
- THE IMPROPER USE OF THIS PRODUCT IS FORBIDDEN; ANY TAMPERING WITH THE PRODUCT OR MODIFICATION OF THE PRODUCT THAT IS NOT AUTHORIZED BY MARECO LUCE CAN CAUSE DAMAGE TO PEOPLE, ANIMALS OR THINGS, AND WILL VOID ANY WARRANTY OR LIABILITY.
- SWITCH OFF THE ELECTRICITY BEFORE CONDUCTING ANY KIND OF MAINTENANCE.
- THE PRODUCT MUST BE INSTALLED IN ACCORDANCE WITH BEST PRACTICE.
- DAMAGED COMPONENTS MUST BE REPLACED WITH MARECOLUCE ORIGINAL SPARE PARTS.
- DO NOT PLACE ANY OBJECT ON THE TOP OF THE LUMINAIRE AND DO NOT COVER THE DIFFUSER IN ANY WAY.

GENERAL MAINTENANCE RECOMMENDATIONS:

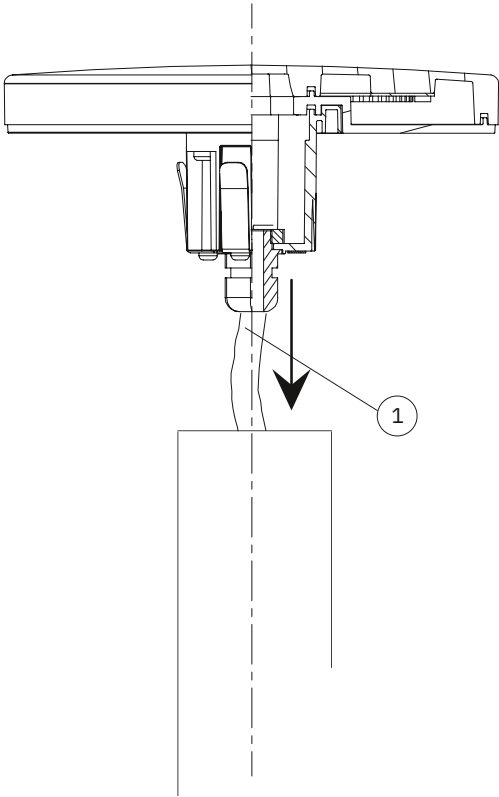
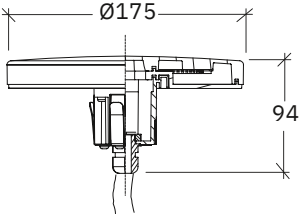
- CLEAN THE LUMINAIRE PERIODICALLY TO REMOVE POSSIBLE DIRT DEPOSITS THAT MAY DAMAGE IT OR ALTER THE PHOTOMETRICS PERFORMANCE.
- DO NOT USE HARSH DETERGENTS, ABRASIVE CLOTHES, HIGH- PRESSURE WASHERS, WATER AT A TEMPERATURE HIGHER THAN 60°C TO CLEAN THE LUMINAIRE.
- CHECK THE INTEGRITY OF THE LUMINAIRES COMPONENTS: REPLACE THEM IN CASE OF DAMAGE BY USING ONLY ORIGINAL MARECO LUCE PARTS.
- CHECK THE PLASTIC CASINGS CAREFULLY IN ORDER TO IDENTIFY ANY POSSIBLE INSULATION DAMAGE.

INSTALLATION

INSTALLATION: Connect the cable out of the fitting (1) to the main supply by respecting the polarities and by making sure the connect the earth cable.

CAUTION: For a correct installation, we recommend to ensure a watertight connection between the supply cables and to use only a flexible double insulation sheath (type HAR) or one suitable for outdoor use.

2. Insert the luminaire on the pole.



Installation on poles

