

# Use and maintenance instructions

## GLOBES F6000 / F6001 / F6002 / F6003 / F6004

Lighting fixture for use on Ø60mm poles/brackets

TECHNICAL DETAILS: refer to the product label



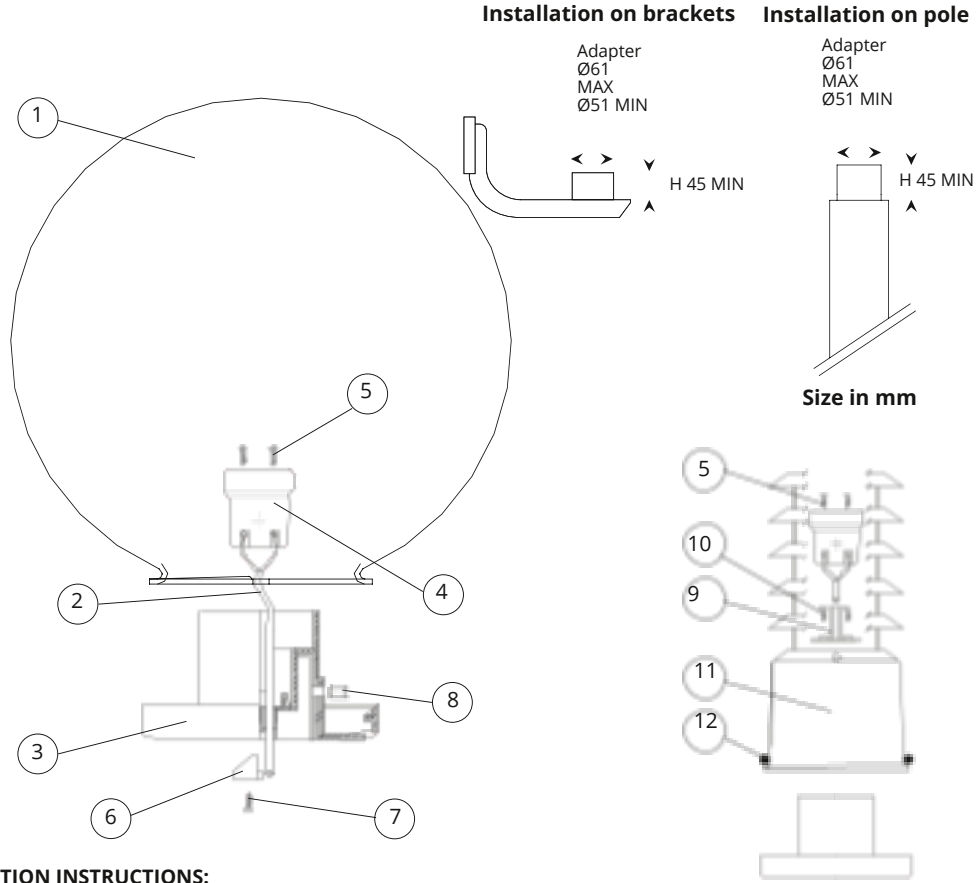
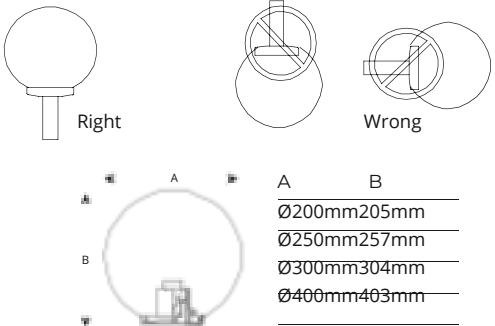
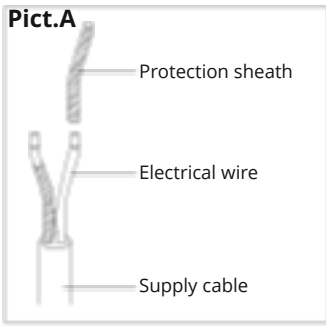
Insulation Class II

IP44 Protection degree against dust ingress, solid particles, moisture

This product must not be disposed as a normal household waste

- WARNINGS:**
- THE SAFETY OF THIS PRODUCT IS GUARANTEED ONLY WITH THE RESPECT OF THE EXISTING RULES FOR THE ELECTRICAL SYSTEMS, AND WITH THE APPROPRIATE USE OF THESE INSTALLATION INSTRUCTIONS, THEREFORE IT IS NECESSARY TO KEEP THEM.
  - THE IMPROPER USE OF THIS PRODUCT IS FORBIDDEN; ANY TAMPERING WITH THE PRODUCT OR MODIFICATION OF THE PRODUCT THAT IS NOT AUTHORIZED BY MARECO LUCE CAN CAUSE DAMAGE TO PEOPLE, ANIMALS OR THINGS, AND WILL VOID ANY WARRANTY OR LIABILITY.
  - SWITCH OFF THE ELECTRICITY BEFORE CONDUCTING ANY KIND OF MAINTENANCE.
  - THE PRODUCT MUST BE INSTALLED IN ACCORDANCE WITH BEST PRACTICE.
  - THE LIGHT SOURCE OF THIS PRODUCT IS NOT REPLACEABLE, AND THEREFORE WHEN IT REACHES THE END OF LIFE THE WHOLE LUMINAIRE MUST BE REPLACED.
  - DAMAGED COMPONENTS MUST BE REPLACED BEFORE PUTTING THE PRODUCT BACK INTO SERVICE WITH MARECOLUCE SPARE PARTS.
  - THIS PRODUCT IS NOT SUITABLE FOR PUBLIC LIGHTING.

- GENERAL MAINTENANCE RECOMMENDATIONS:**
- CLEAN THE FITTING PERIODICALLY TO REMOVE POSSIBLE DIRT DEPOSITS ON THE DIFFUSER AND IN THE DRAINING HOLES. FOLLOW THE INSTALLATION INSTRUCTIONS WHEN CARRYING OUT THIS OPERATION.
  - CHECK THE TIGHTNESS OF THE SCREW THAT SECURE THE LUMINAIRE TO THE POLE.
  - CHECK THE INTEGRITY OF THE DIFFUSER: REPLACE IT IN CASE OF DAMAGE, BY USING ONLY AN ORIGINAL MARECO LUCE DIFFUSER.
  - DO NOT USE HARSH DETERGENTS TO CLEAN THE DIFFUSER.
  - CHECK THE PLASTIC CASINGS CAREFULLY IN ORDER TO IDENTIFY ANY POSSIBLE INSULATION DAMAGE.



- INSTALLATION INSTRUCTIONS:**
1. Remove the diffuser (1), by turning it anti clock-wise.
  2. Insert the supply cable into the base (3).
  3. Insert the protection sheath (included in the package) in the two electrical wires, after removing the first insulation sheath. See Pict A.
- CAUTION: use only a flexible double insulation sheath (type HAR). The outer cable diameter must be less than 11mm and the thickness of the inner electrical wires must range between 1 and 2.5mmq.
4. Connect the conductor cables to the terminals of the lamp holder (4).
  5. Fix the lamp holder (4) to the base (3), through the screws (5).
  6. Tighten the supply cable (2) through the anchorage (6) by tightening the screw (7).
  7. Fix the base (3) to the pole/bracket and tighten the dowel (8).
  8. Install the lamp, not included, and fix the diffuser (1) on the base (3) by turning it 60° clock-wise.

- INSTALLATION INSTRUCTIONS WITH ANTI-GLARE LOUVER**
1. Follow steps 1 to 3 of the installation instructions.
  2. Insert the supply cable in the lamp-holder spacer (9), then fix the spacer to the base (3) by using the relevant screws (10).
  3. Connect the conductor cables to the terminals of the lamp holder (4).
  4. Fix the lamp holder (4) to the spacer (9) through the relevant screws (5).
  5. Follow the steps 6 and 7 of the installation instructions.
  6. Install the lamp, not included, and position the anti-glare louver (11);
- CAUTION: in the Globe 400 mm insert the O-ring (12) on the base of the anti-glare louver cone (11).
7. Place the diffuser (1) on the base (3) and turn it 60° clock-wise.