

# Model: SSW-PROX & SSW-PROX2 IR Electronic Single and Double Cupboard Door Switches Installation Instructions

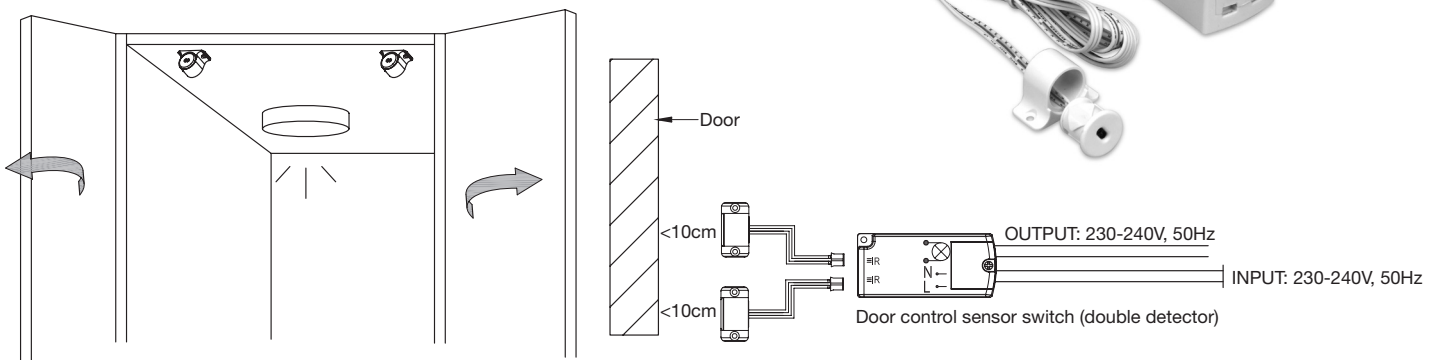


**Important: Installation should be undertaken by a registered electrician.**

- Supply 230-240V 50Hz
- Maximum load 250W

**Function of single model:** An object moved within the 10cm detection range (e.g. Door) will switch 'off' the connected item (e.g. light) until the object is removed. Switch is 'Normally On'

**Function of double model:** When an object is moved within the 10cm detection range of both detectors (e.g. Door) will switch 'off' the connected item (e.g. light) until the object is removed. If either of the doors are open the light will switch 'on'.



## Alternative methods to mount sensor

Note: The sensor must be secured in a fixed position and kept clean

### Recessed Installation

Remove surface mount bracket drill a 15mm diameter hole at desired position and mount the detector as shown in Fig.2 and plug into the switch.

### Surface Installation

Drill hole 10mm diameter. Pass plug and cable through hole. Fix sensor in place using screws provided as shown in Fig.3 and plug into the switch.

